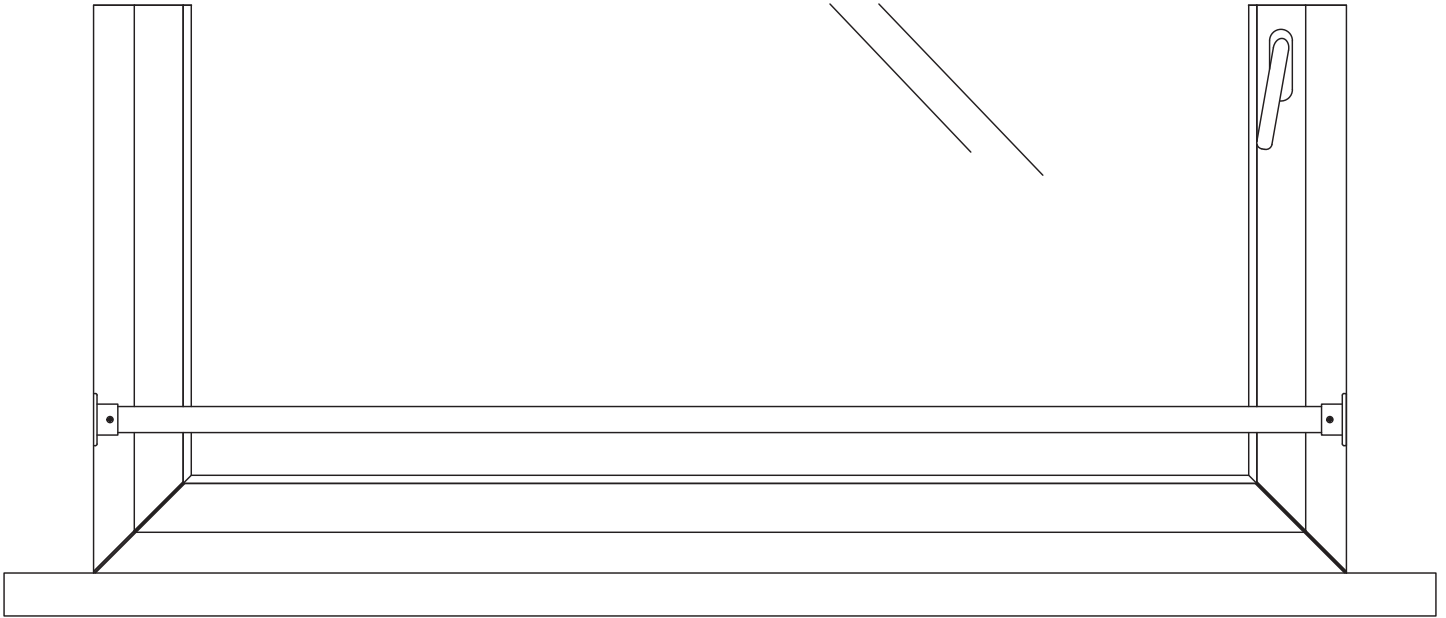


ROTHLEY.*200 years of innovation*

Window Safety Barrier

BS 6180:2011



Before You Start



Before installing please identify that you have all the parts as listed.

Warnings

- Proper fitting of this item is extremely important.
- This is suitable for DIY fitting however if the necessary tools and expertise are not available, we would recommend installation by a qualified trades person.
- Ensure that your wall is in sound condition prior to fitting & check that no hidden pipes or cables will interfere when installing.
- We suggest you retain these instructions for future reference. This product must be securely mounted on a solid surface at the point of installation. This is necessary to adhere to BSI Safety standards (BS 6180:2011). Please periodically check all fittings and re-tighten as necessary.
- Unwrap all packaging material and place the components on top of the carton box or on a clean floor to protect from damage.

Do's

- We suggest you spend a short time reading through this leaflet before you begin and make sure that you have the right tools and plenty of space.
- Carefully check that you have all the parts before beginning assembly.
- Ensure the product is fully assembled as illustrated and all fixings are fully tightened before use.
- Wipe occasionally with a clean soft cloth.
- Ensure eye protection is worn throughout the installation.

Don'ts

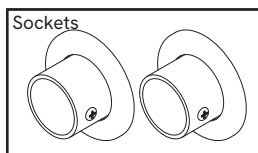
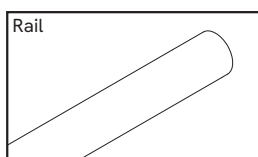
- Do not use abrasive materials as these could affect any protective coating.

ATTENTION

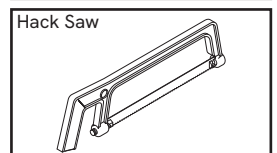
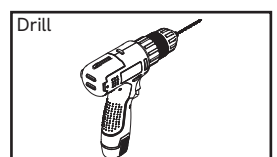
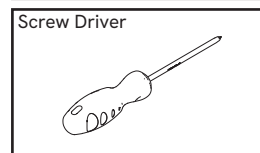
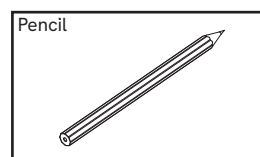
Please use 4x60mm screws
and 50mm wall plug.

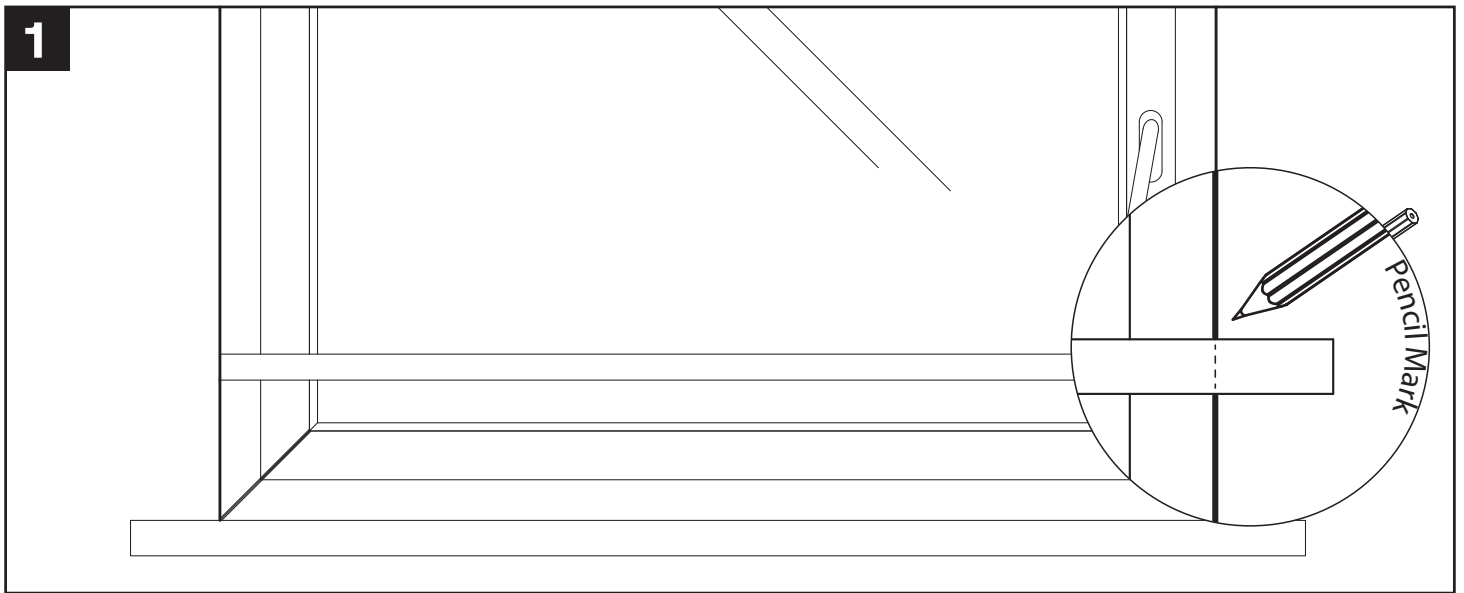
Not included.

Included in Kit

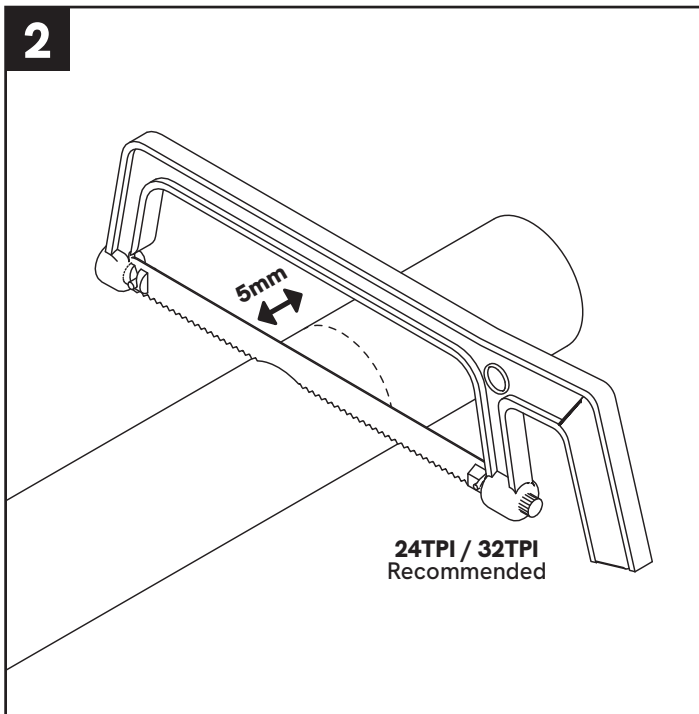


Tools Required

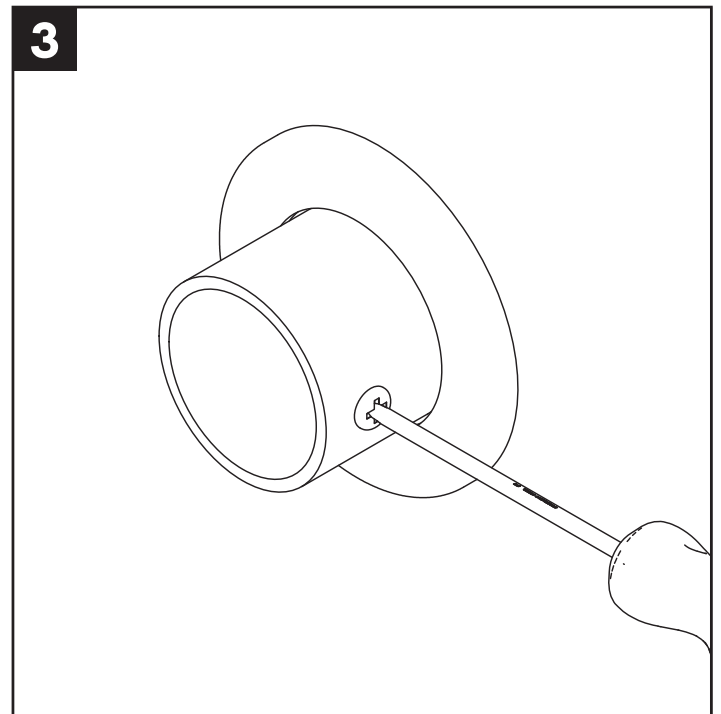




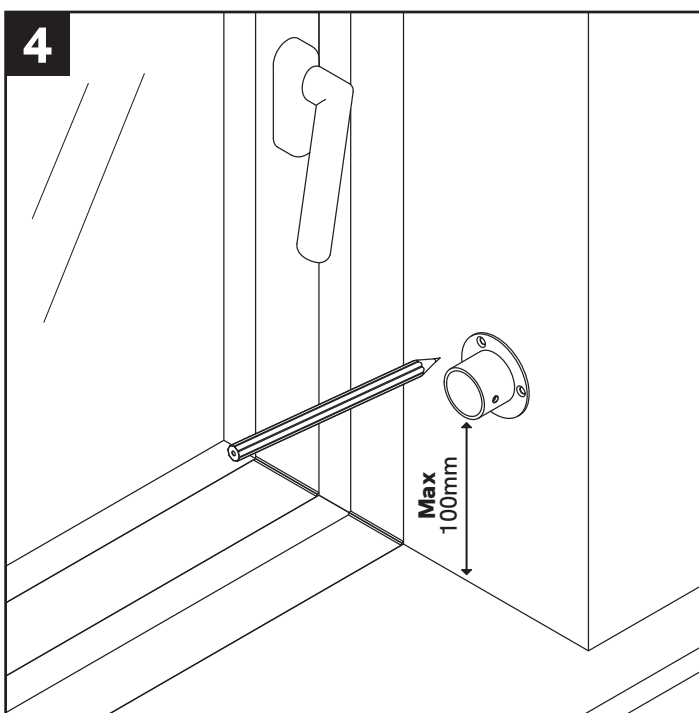
If you need to cut the rail mark it with a pencil



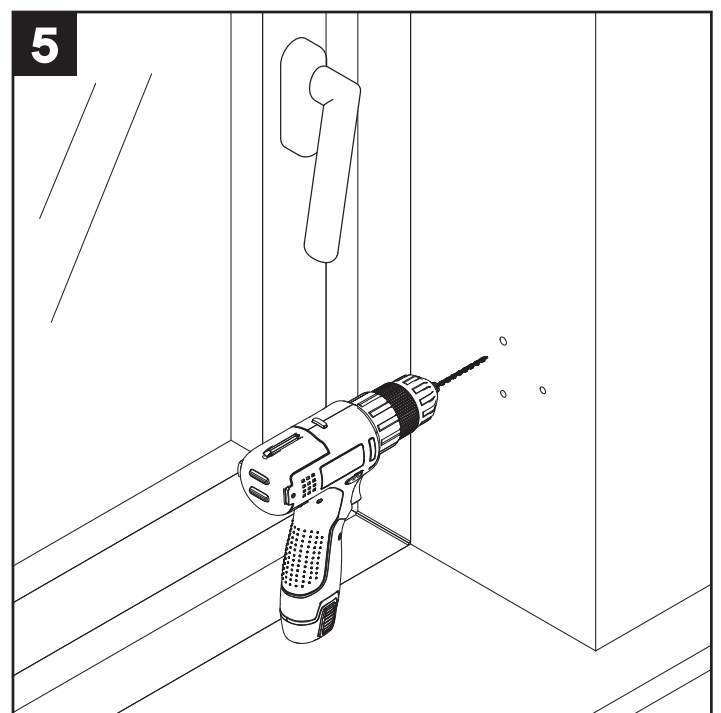
Cut the rail 5mm short of the pencil line



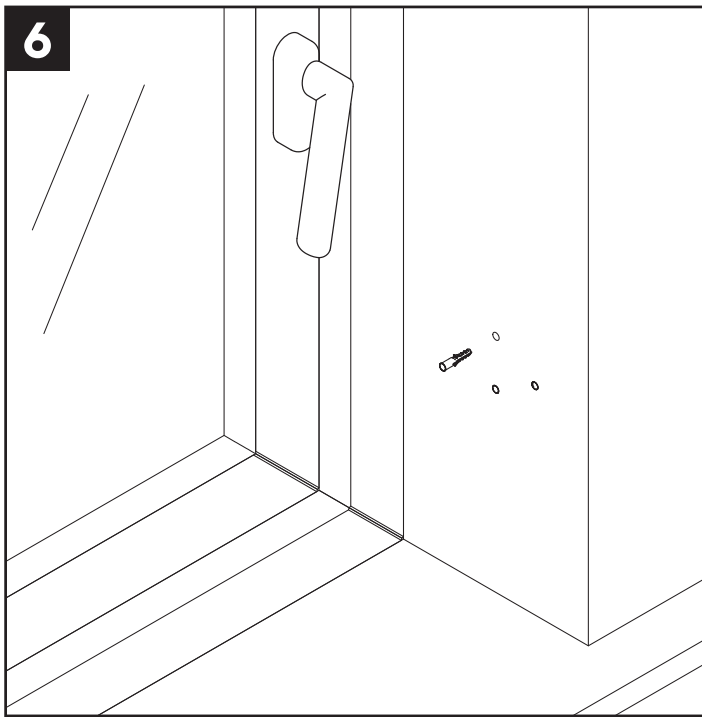
Remove retaining screw and cover from each socket



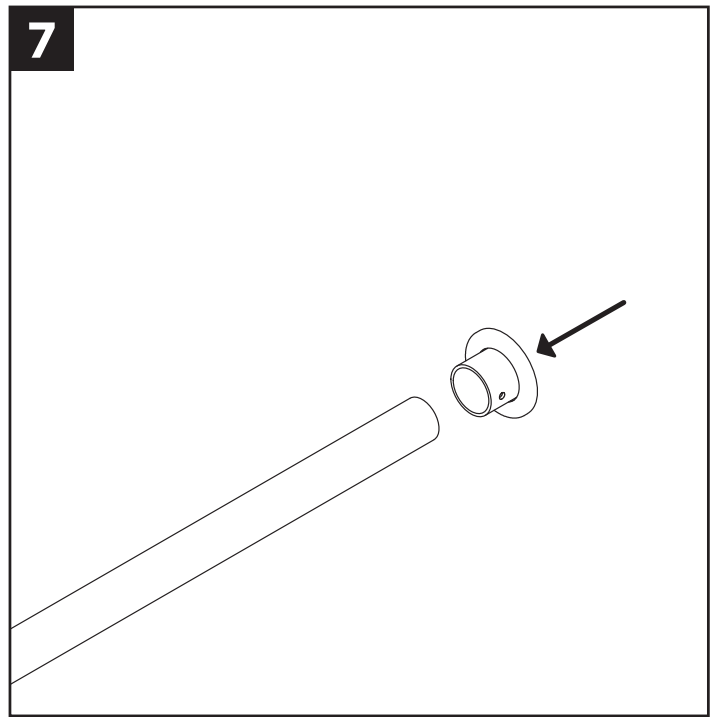
Space between the shelf and rail must be a max of 100mm



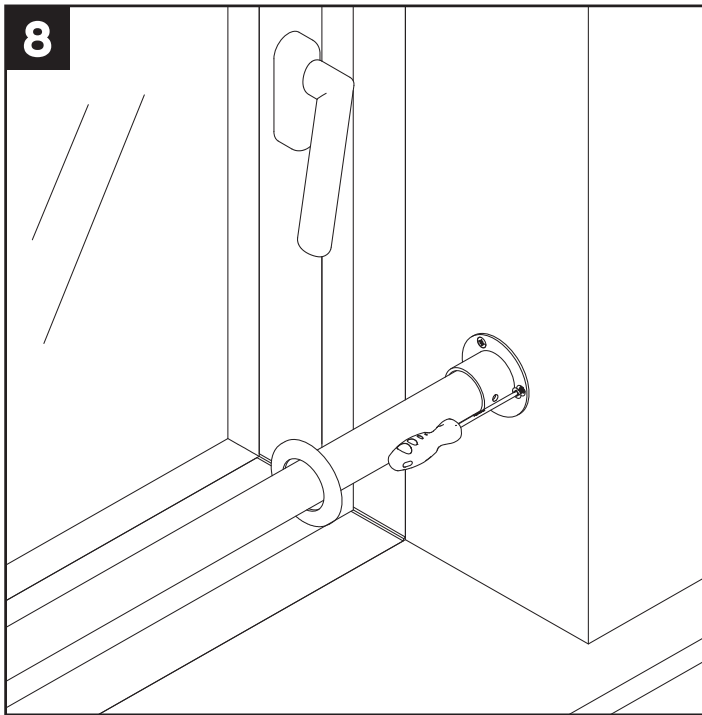
Drill suitable size holes



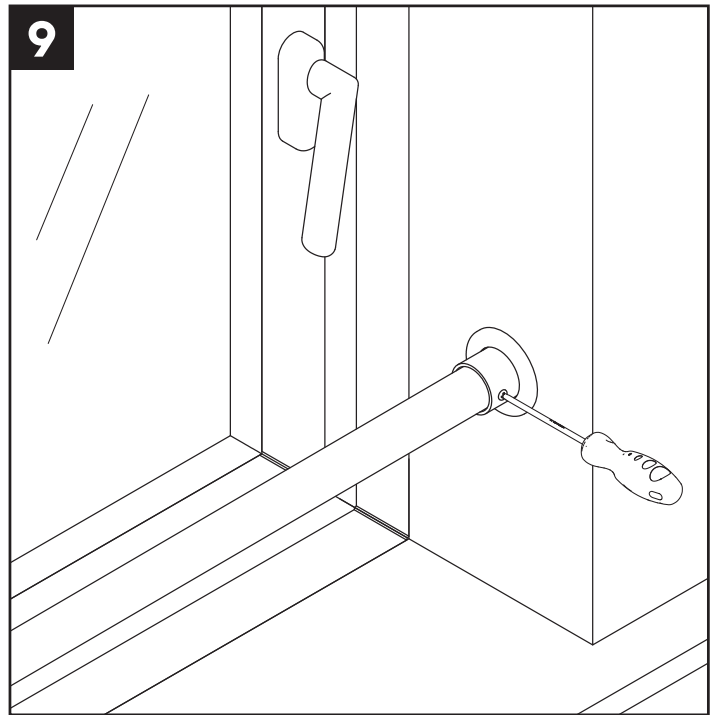
Insert suitable wall plugs



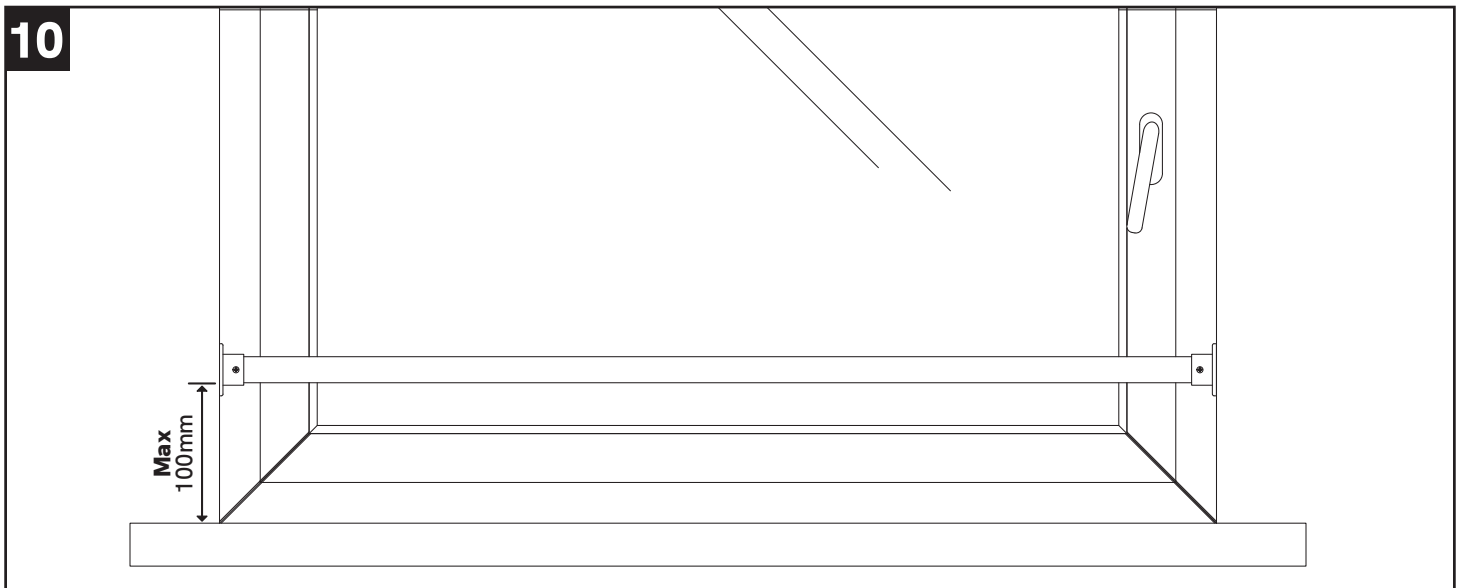
Slide the Sockets and covers onto the rail



Pull the covers back and insert the screws



Replace the cover and tighten the retaining screw



Completed installation

Suitable for use with:

KWPGDP1219

KWPGDP1829

KWPGMP1219

KWPGMP1829