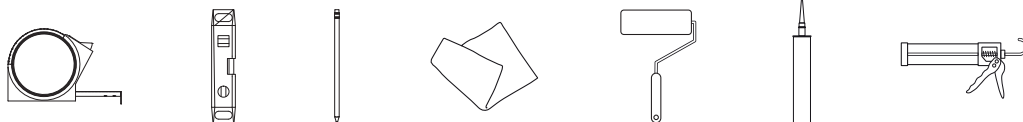


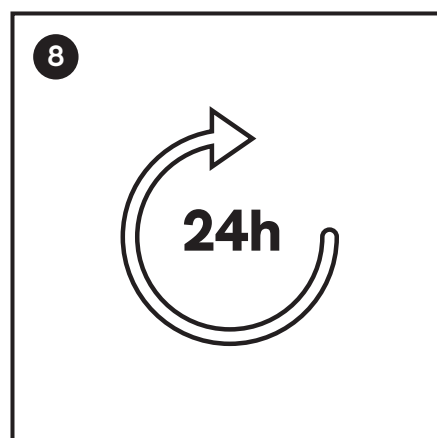
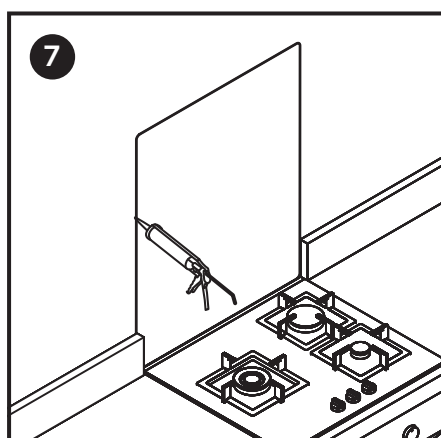
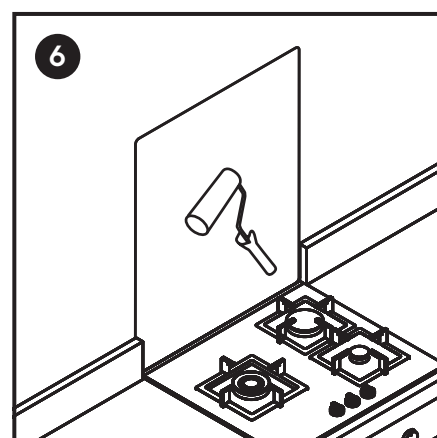
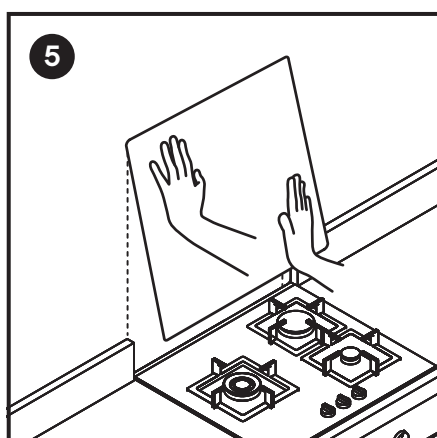
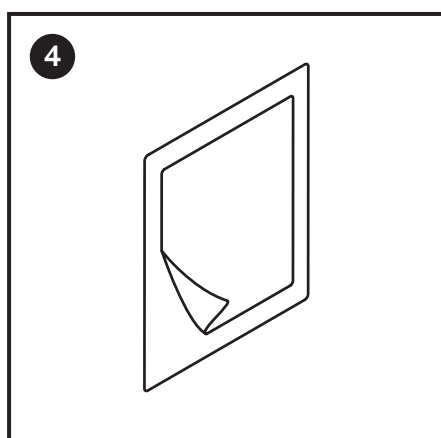
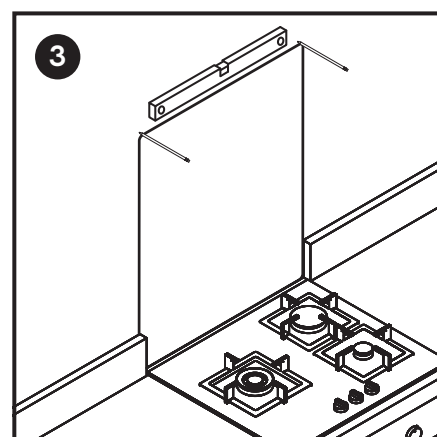
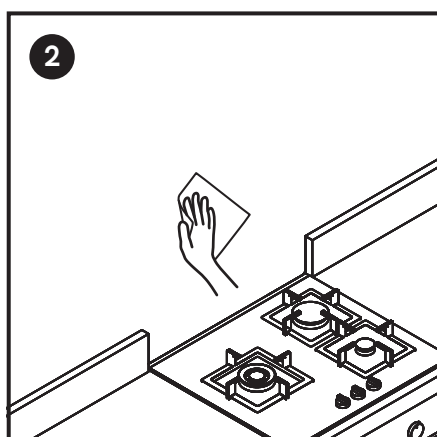
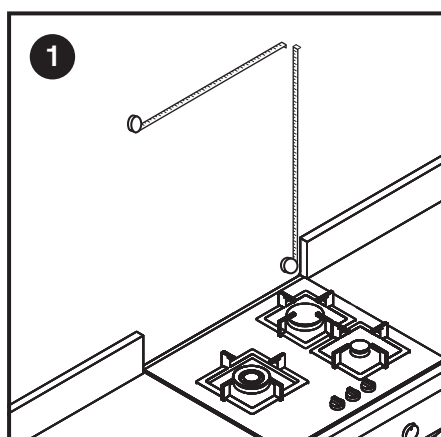
Metal Splashback

Tools and Materials You'll Need

Measuring Tape, Spirit Level, Pencil or Marker, Soft Cloth or Roller, Heat-Resistant Silicone Sealant, Caulking Gun



Step-by-Step Installation



Allow splashback to cure for 24 hours - ensure it is kept dry and away from heat.

*Heat-Resistant Silicone Sealant is required.