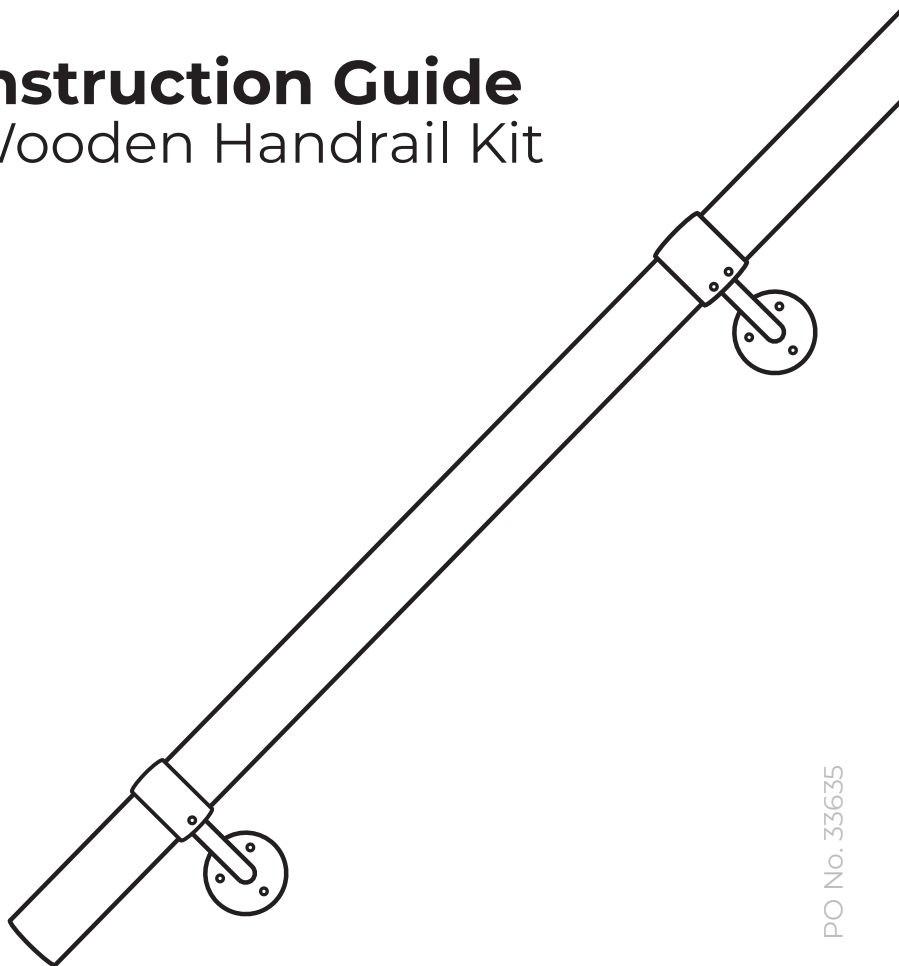


# ROTHLEY

## Instruction Guide

### Wooden Handrail Kit



@RothleyLtd



v1-040724

PO No. 33635

## Accessorising your home

[www.rothley.com](http://www.rothley.com)

### IMPORTANT INFORMATION

Before installing please identify that you have all the kit parts as listed on page 3.

---

**Rothley Handrail kits** are designed for **domestic** use **ONLY**.

**Maximum Load 130kg** along the length of the **Handrail**  
*(As tested by FIRA)*

**Rothley Handrail Kits** are suitable for **indoor** use **ONLY**.

**Before** installing please check the wall surface is **solid** and in **sound condition**.

**Wall Plugs** included are for use in **solid masonry walls ONLY** and may not be suitable for your application. Please **ensure** you use the **correct wall plugs** suitable for your application.

**Before drilling** ensure there are **NO pipes** or **cables** located in the wall that could interfere with installation.

**Handrail** should **NOT** be fitted to **plasterboard** partitioning.

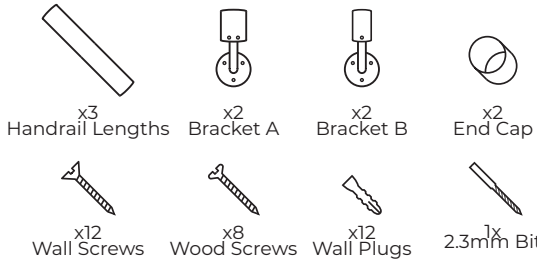
#### **DISCLAIMER:**

As our **Handrail Kit** pole lengths are made of natural woods, please note there may be changes to the colour and/or grain over the three **1.2m lengths**.

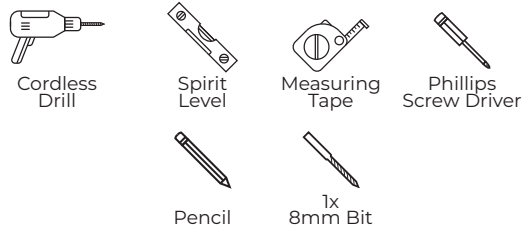
Our **Pine Handrail** is suitable for staining or painting. Please ensure you have prepped your **rails** correctly before staining or painting by sanding down the protective lacquer.

## Kit Parts

### Included



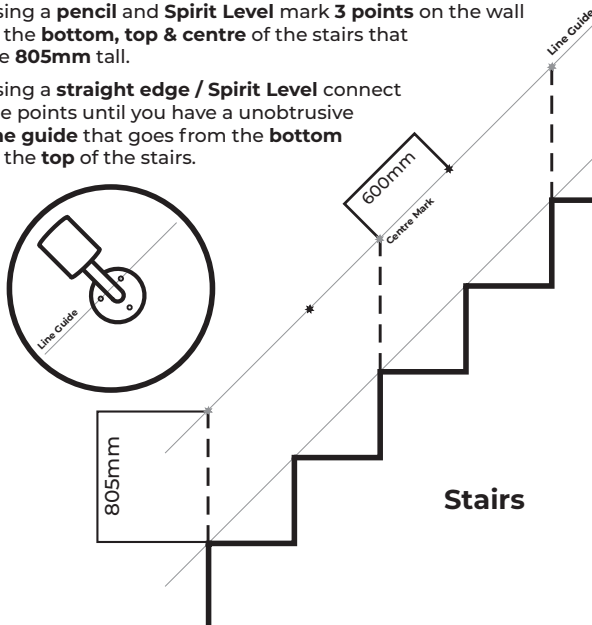
### Required Extras



## Step 1

Using a **pencil** and **Spirit Level** mark **3 points** on the wall at the **bottom, top & centre** of the stairs that are **805mm** tall.

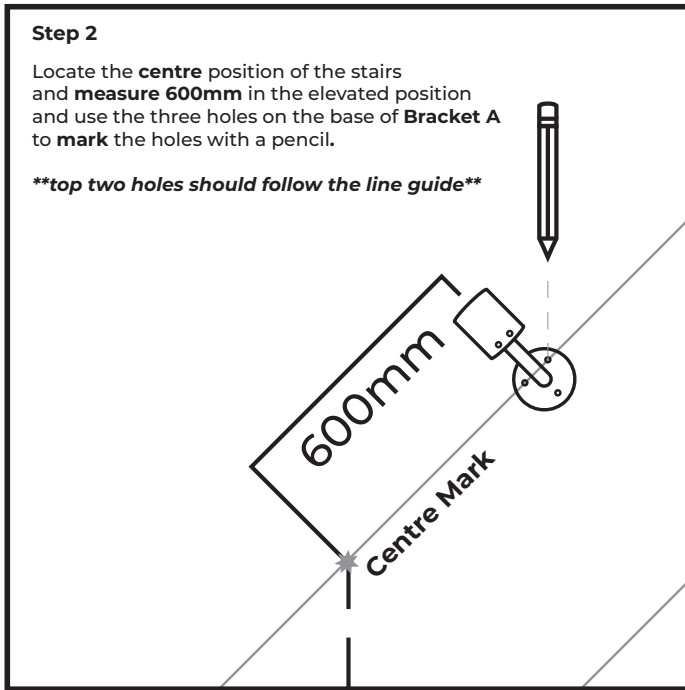
Using a **straight edge / Spirit Level** connect the points until you have an unobtrusive **line guide** that goes from the **bottom** to the **top** of the stairs.



### Step 2

Locate the **centre** position of the stairs and **measure 600mm** in the elevated position and use the three holes on the base of **Bracket A** to **mark** the holes with a pencil.

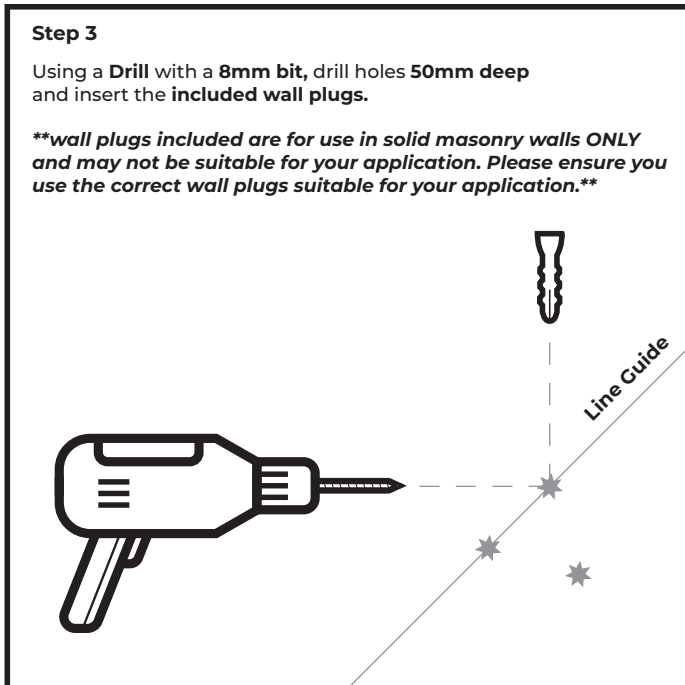
**\*\*top two holes should follow the line guide\*\***



### Step 3

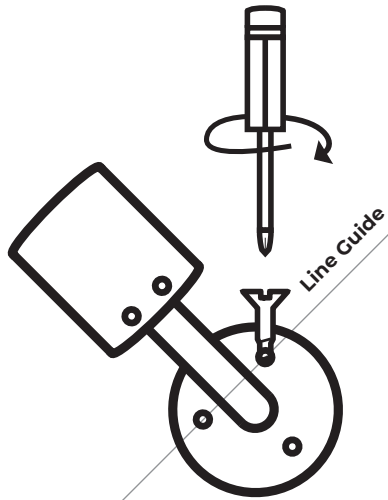
Using a **Drill** with a **8mm bit**, drill holes **50mm deep** and insert the **included wall plugs**.

**\*\*wall plugs included are for use in solid masonry walls ONLY and may not be suitable for your application. Please ensure you use the correct wall plugs suitable for your application.\*\***



#### Step 4

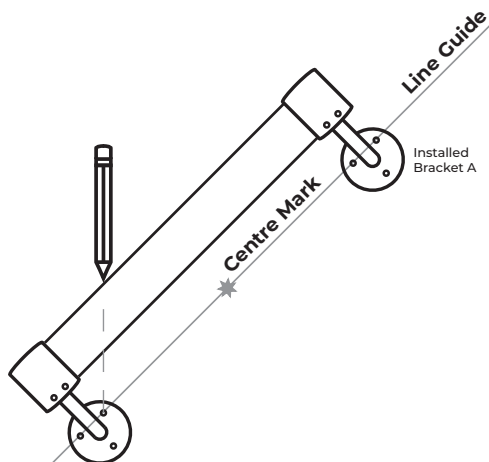
Now return **Bracket A** to the wall and insert the **50mm screws** checking they are tight.



#### Step 5

Place a length of **Handrail** into the installed **Bracket A** and another 2nd **Bracket A** onto the end of the **Rail**.

Align the top two holes on the **Bracket A** with the line guide and mark all three fixing holes on to the wall.

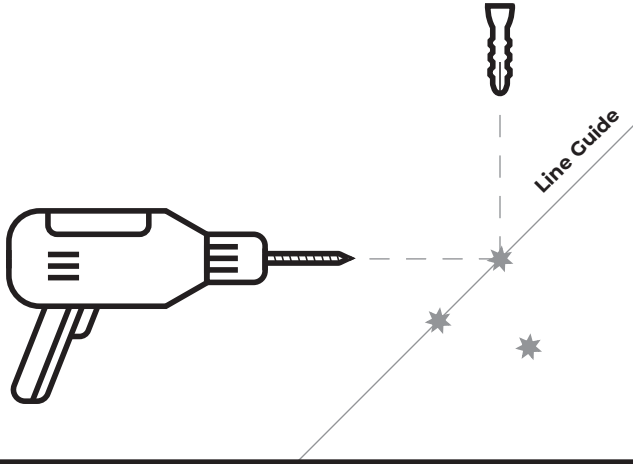


### Step 6

**Drill** all three **8mm x 50mm** Deep holes into the wall and insert Wall Plugs included.

Re-insert the **Rail** and **Bracket A** onto the end of the **Rail** and screw **Bracket A** to the wall.

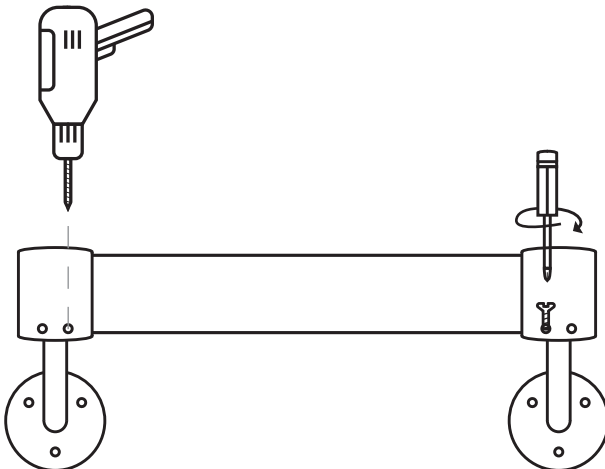
**\*\*Ensure screws are tight\*\***



### Step 7

Using a **2.3mm Drill Bit**, make a pilot hole **20mm deep** like shown and insert the **Woodscrew**. Repeat this on the other end of the **Rail** to stop the **Rail** from rotating.

**\*\*Ensure the screws are tight\*\***

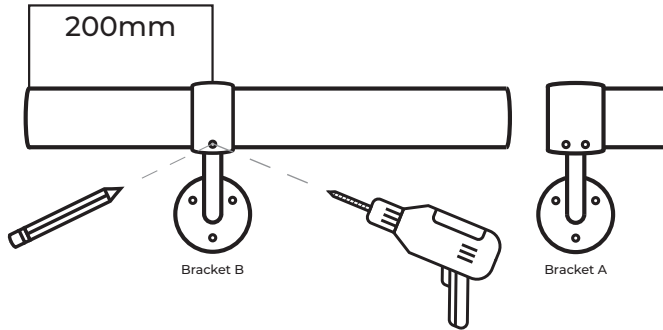


### Step 8

Select another length of **Rail** and slide **Bracket B** onto the end of the **Rail** ensuring that **Bracket B** is **200mm** from the end as shown.

Mark position of **2.3mm** pilot hole through **Bracket B** and drill hole **20mm** deep. Insert **3mm x 20mm** long **woodscrew** and screw **Bracket B** to the **Rail**. (*Refer back to Step 6 to fit the bracket to the wall*)

**\*\*Ensuring the screws are tight\*\***



### Step 9

Place the length of **Handrail** into the installed **Bracket A**. Align the top two holes on **Bracket B** with the line guide and mark all three fixing holes.

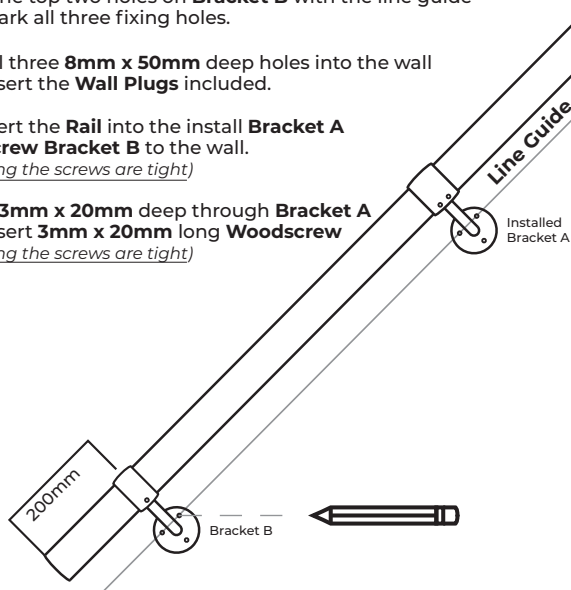
**Drill** all three **8mm x 50mm** deep holes into the wall and insert the **Wall Plugs** included.

Re-insert the **Rail** into the install **Bracket A** and **Screw Bracket B** to the wall.

*(Ensuring the screws are tight)*

**Drill 2.3mm x 20mm** deep through **Bracket A** and insert **3mm x 20mm** long **Woodscrew**

*(Ensuring the screws are tight)*



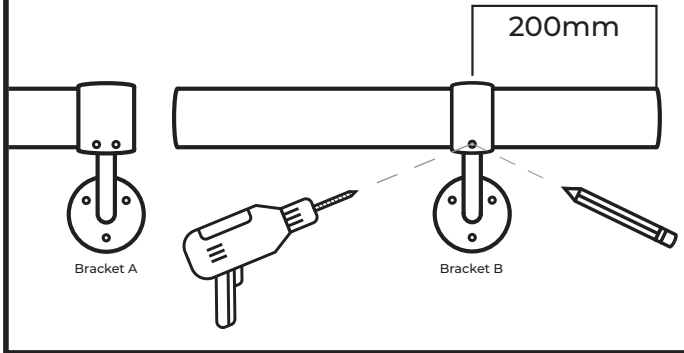
### Step 10

Select another length of **Rail** and slide **Bracket B** onto the end of the **Rail** ensuring that **Bracket B** is **200mm** from the end as shown.

Mark position of **2.3mm** pilot hole through **Bracket B** and drill hole **20mm** deep. Insert **3mm x 20mm** long **woodscrew** and screw **Bracket B** to the **Rail**.

*(Refer back to Step 6 to fit the basket to the wall)*

**\*\*Ensuring the screws are tight\*\***



### Step 11

The **Handrail** should now look like this.  
If not please re-read the instructions



**Place the End Caps** on the ends of the **Handrail**, using a **pencil** mark the pilot hole.

**Remove the End Caps** and **Drill a 2.3 mm x 20mm Deep hole**.

**Place the End caps** back onto the **Handrail** and Install the **Woodscrew** making sure it is tight.

**\*\*Do this to both ends of the Handrail\*\***

