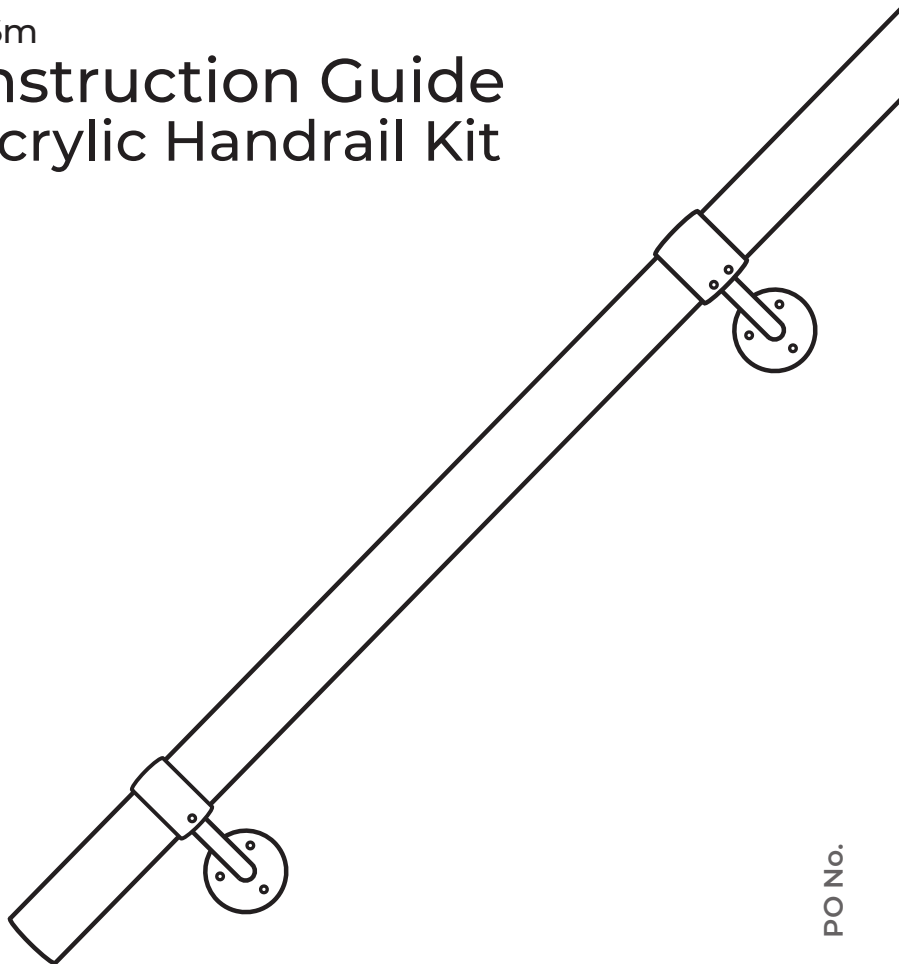


ROTHLEY

3.6m

Instruction Guide Acrylic Handrail Kit



@RothleyLtd



v1-040724

PO No.

Accessorising your home

www.rottley.com

IMPORTANT INFORMATION

Before Installing please identify that you have all the kit parts as listed on page 3.

Rottley Handrail kits are designed for domestic use **ONLY**.

Rottley Handrail Kits are suitable for indoor use **ONLY**.

Before installing please check the wall surface is solid and in sound condition.

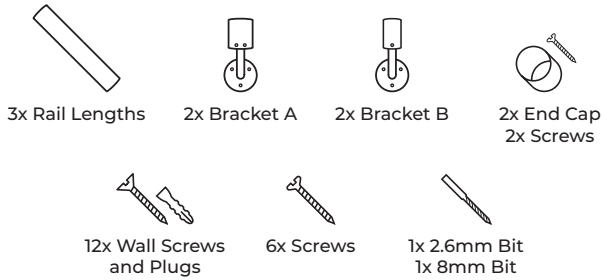
Wall Plugs included are for use in solid masonry walls **ONLY** and may not be suitable for your application. Please ensure you use the correct wall plugs suitable for your application.

Before drilling ensure there are **NO** pipes or cables located in the wall that could interfere with installation.

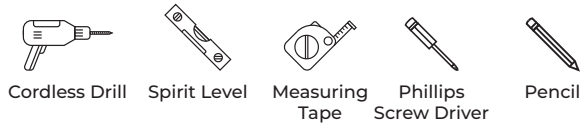
Handrail should **NOT** be fitted to plasterboard partitioning.

Kit Parts

Included



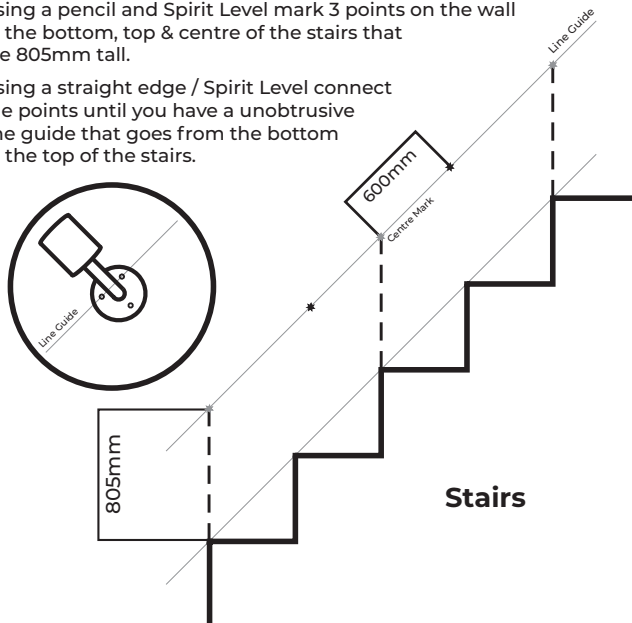
Required Extras



Step 1

Using a pencil and Spirit Level mark 3 points on the wall at the bottom, top & centre of the stairs that are 805mm tall.

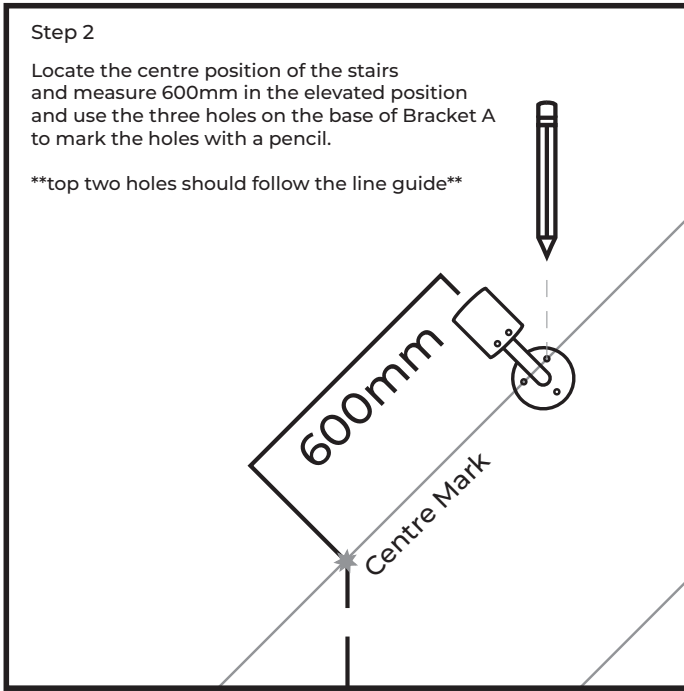
Using a straight edge / Spirit Level connect the points until you have a unobtrusive line guide that goes from the bottom to the top of the stairs.



Step 2

Locate the centre position of the stairs and measure 600mm in the elevated position and use the three holes on the base of Bracket A to mark the holes with a pencil.

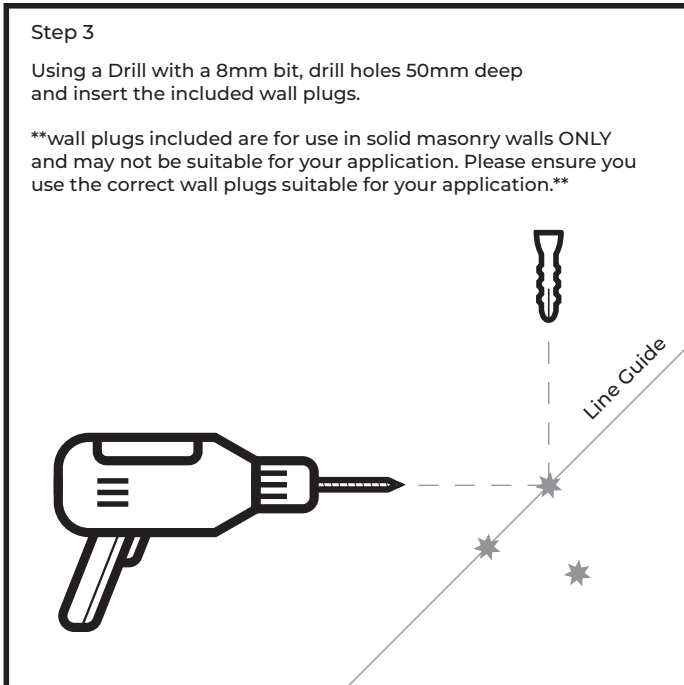
****top two holes should follow the line guide****



Step 3

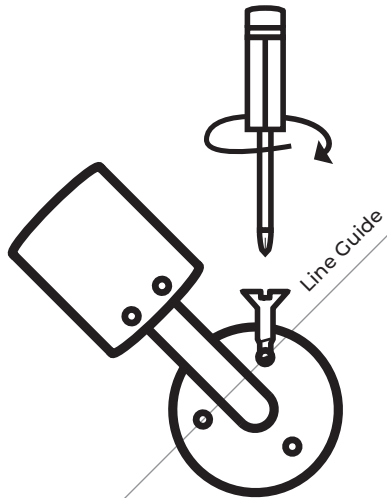
Using a Drill with a 8mm bit, drill holes 50mm deep and insert the included wall plugs.

****wall plugs included are for use in solid masonry walls ONLY and may not be suitable for your application. Please ensure you use the correct wall plugs suitable for your application.****



Step 4

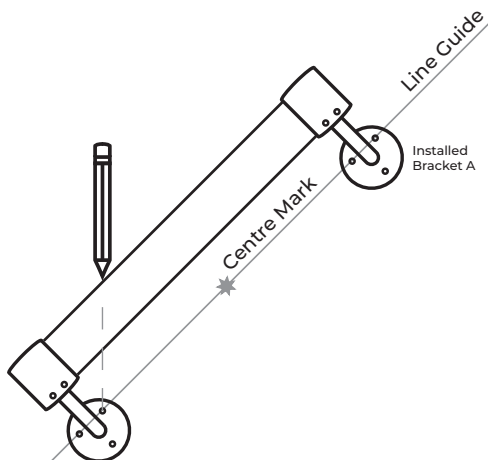
Now return Bracket A to the wall and insert the 50mm screws checking they are tight.



Step 5

Place a length of Handrail into the installed Bracket A and another 2nd Bracket A onto the end of the Rail.

Align the top two holes on the Bracket A with the line guide and mark all three fixing holes on to the wall.

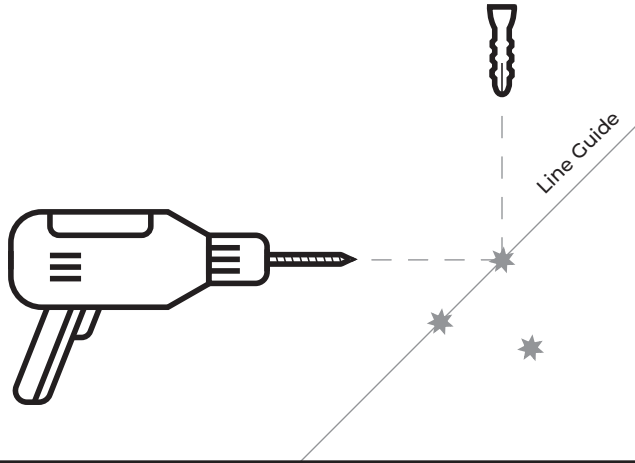


Step 6

Drill all three 8mm x 50mm Deep holes into the wall and insert Wall Plugs included.

Re-insert the Rail and Bracket A onto the end of the Rail and screw Bracket A to the wall.

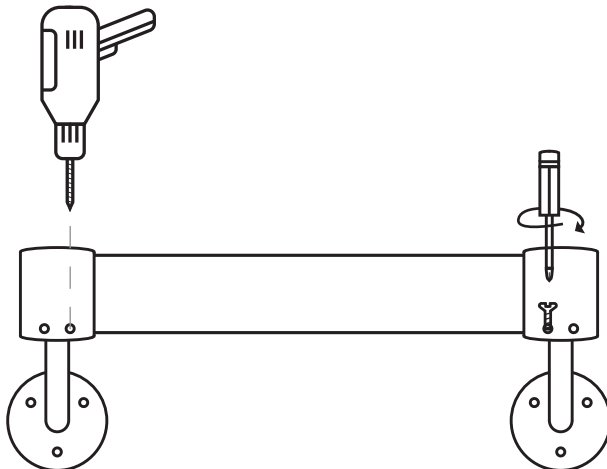
****Ensure screws are tight****



Step 7

Using a 2.6mm Drill Bit, make a pilot hole 20mm deep like shown and insert the Screws. Repeat this on the other end of the Rail to stop the Rail from rotating.

****Ensure the screws are tight****

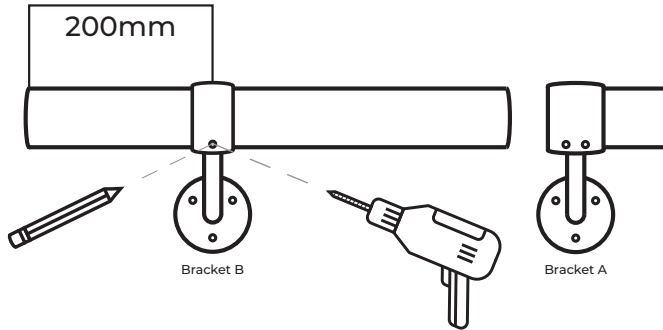


Step 8

Select another length of Rail and slide Bracket B onto the end of the Rail ensuring that Bracket B is 200mm from the end as shown.

Mark position of 2.6mm pilot hole through Bracket B and drill hole 20mm deep. Insert 3mm x 20mm long screw and screw Bracket B to the Rail. (Refer back to Step 6 to fit the bracket to the wall)

****Ensuring the screws are tight****



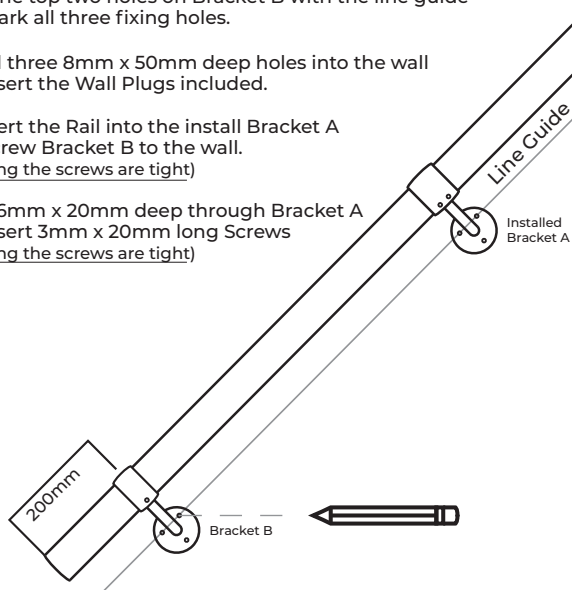
Step 9

Place the length of Handrail into the installed Bracket A. Align the top two holes on Bracket B with the line guide and mark all three fixing holes.

Drill all three 8mm x 50mm deep holes into the wall and insert the Wall Plugs included.

Re-insert the Rail into the install Bracket A and Screw Bracket B to the wall. (Ensuring the screws are tight)

Drill 2.6mm x 20mm deep through Bracket A and insert 3mm x 20mm long Screws (Ensuring the screws are tight)



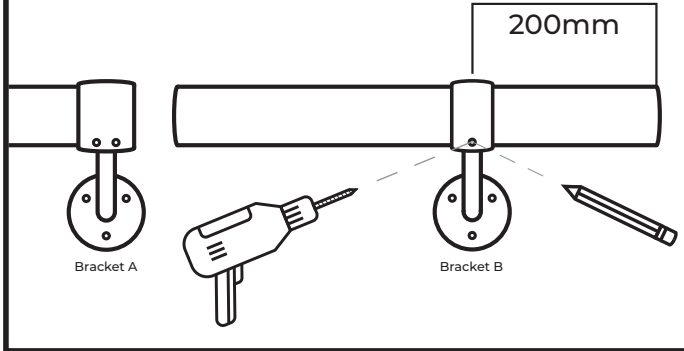
Step 10

Select another length of Rail and slide Bracket B onto the end of the Rail ensuring that Bracket B is 200mm from the end as shown.

Mark position of 2.6mm pilot hole through Bracket B and drill hole 20mm deep. Insert 3mm x 20mm long woodscrew and screw Bracket B to the Rail.

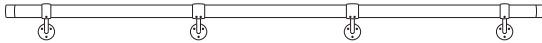
(Refer back to Step 6 to fit the basket to the wall)

****Ensuring the screws are tight****



Step 11

The Handrail should now look like this.
If not please re-read the instructions



Place the End Caps on the ends of the Handrail, using a pencil mark the pilot hole.

Remove the End Caps and Drill a 2.6 mm x 20mm Deep hole.

Place the End caps back onto the Handrail and Install the Screw making sure it is tight.

****Do this to both ends of the Handrail****

